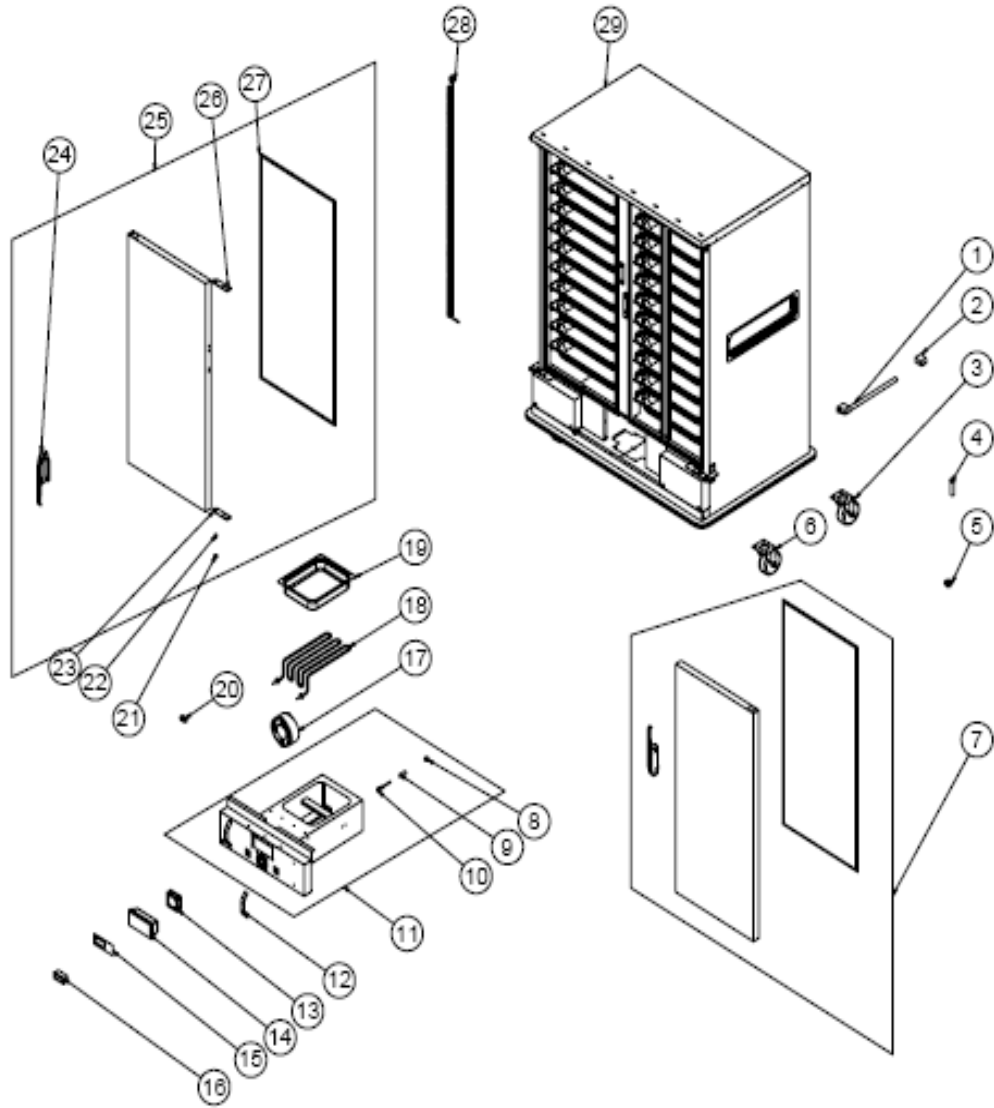


# ТЕЛЕЖКА БАНКЕТНАЯ ТЕПЛОВАЯ TATRA TBT 2221 H




## TELEJKA BANKETNAYA TEПЛОВАЯ TATRA TBT 2221 H

1	KULP BORUSU ÇAP 20mm	YBR-ERK.BQ-KS-0001	
2	1160 TUTAMAK YAN PARÇASI (BANKET)	M.ENJ-ERK-PLS-019	
3	SARHOS FRENLI 125*37.5 KAMA 3102SLP125F18T (BANKET ARABASI)	M.AKS-TKR-KFS-002	
4	TAHLIYE BORUSU	M.ENJ-ERK-PLS-002	
5	TAHLIYE BORUSU SOMUNU	M.ENJ-ERK-PLS-024	
6	SARHOS FRENSİZ 125*37.5 KAMA 3102SLP125 (BANKET ARABASI)	M.AKS-TKR-KS-002	
7	SAG KAPAK ARA MONTAJ	ARA-ERK.BQ-0034	
8	TERMOKULP SABITLEYICI AKB VIDAS KISA-(SARI)	YTL-ERK.BQ-KS-0001	
9	TERMOKULP SABITLEYICI-(15 LİK SARI)	YTL-ERK.BQ-KS-0002	
10	PTC SENSÖR-MGL40.K1.5 METRE YENİ BANKET	M.ELK-EDM-DGT-011	
11	ÇEKMECE ARA MONTAJ	ARA-ERK.BQ-0032	
12	KULP 128 MM SAHİN SET İNOX ( YENİ BANKET İÇİN )	ERK.M.AKS-KLP-İNX-003	
13	FAN TİDAR 80*80*38 220VAC-240VAC	M.ELK-HVL-KFN-002	
14	BANKET DİJİTAL PLASTİGİ ( SIYAH )	M.ENJ-ERK-PLS-103	
15	14*6 CM LEXAN ETİKET (YENİ BANKET)	M.AKS-ETK-LKS-14*6	
16	16A DİJ. TERMOSTAT TEK PROB EV3X21 N7 SENSÖRSÜZ	ERK.M.ELK-EDM-DGT-007	
17	FAN TİDAR 160*150*55 220V AC (Y.MODEL BANKET İÇİN)	M.ELK-HVL-KFN-005	
18	120475-220V-3000W BANKET YENİ REZİSTANS	M.ELK-RKR-BRU-ERK-007	
19	1/2*65 GASTRONOM KÜVET	M.MTS-ERK-007	
20	PG-11 GRI SOMUNLU KABLO RAKORU	ERK.M.ELK-RKR-PLS-003	
21	MENTESE PİM YATAGI (SARI Q20)	YTL-ERK.BQ-KS-0003	
22	BANKET MENTESE PİMİ	YTL-ERK.BQ-KS-0004	
23	KAPAK ÜST MENTESE SACI	YSC-ERK.BQ-LZ-0082	
24	I 901 MİKNATISLI YAN KİLİT (AÇILIR YÖN-SAG TARAF)	M.AKS-KLT-GNL	
25	SOL KAPAK ARA MONTAJ	ARA-ERK.BQ-0033	
26	KAPAK ALT MENTESE SACI	YSC-ERK.BQ-LZ-0097	
27	CONTA ( 563*1322 GRI )	M.CNT-ERK-010	
28	3*1.5 PUR ( 3.5 ) MT ÇALIŞMA FİSLİ (SİRAL)	ERK.M.ELK-PWR-PBK-004	
29	SASE	-	
30	KONTROL PANOSU TAKIMI	ARA-ERK.BQ-0046	